

WSD F04

Note:

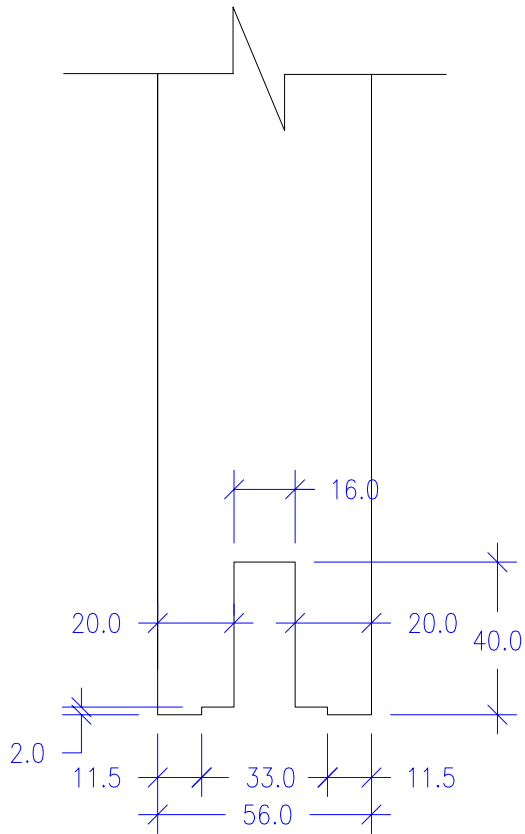
Ventura Threshold to be left 25mm beyond either side of the door frame
Detail is for Open Out doors only

Door Leaf Process:

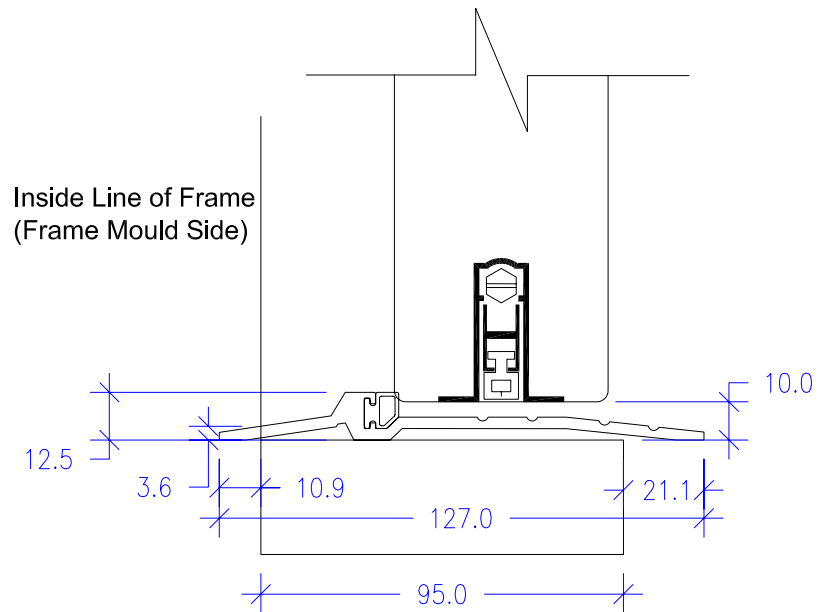
- 1) *Window Line* - All components
- 2) *Cramp*
- 3) *Ancillaries* - Rebate only in door leaf btm
(o/a height off W/L is correct)

Frame Jamb Process:

- 1) *Window Line* - Comb only (do not profile)
- 2) *Ancillaries* - Comb jamb btms for threshold
- 3) *Window Line* - Profile the pair
- 4) *Maka 1*- Hinge locations
- 5) *Cramp*



Ventura Threshold Grooves
in the bottom of the door Leaf



Inside Line of Frame
(Frame Mould Side)